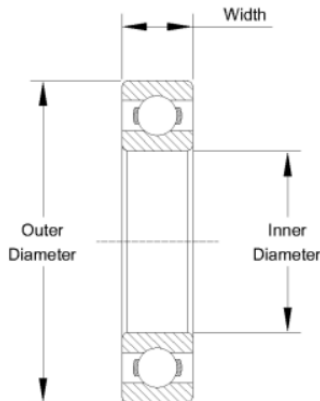




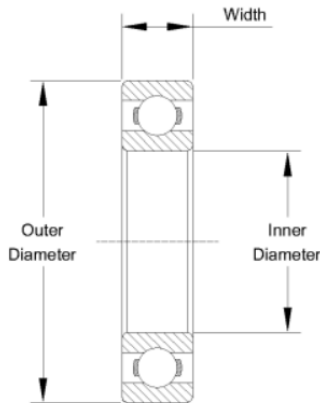
MR Series Miniature Bearings



Part Number	Bore diameter	Outside diameter	Width	Seal type	Ring material	Ball material	Limiting speed
MR31	1 mm	3 mm	1.5 mm	Open	Chrome Steel	Chrome Steel	117 X 1000 rpm
MR41x	1.2 mm	4 mm	1.8 mm	Open	Chrome Steel	Chrome Steel	105 X 1000 rpm
MR41xzz	1.2 mm	4 mm	2.5 mm	Shielded	Chrome Steel	Chrome Steel	105 X 1000 rpm
MR52	2 mm	5 mm	2 mm	Open	Chrome Steel	Chrome Steel	85 X 1000 rpm
MR52 2rs	2 mm	5 mm	2.5 mm	Sealed	Chrome Steel	Chrome Steel	85 X 1000 rpm
MR52zz	2 mm	5 mm	2.5 mm	Shielded	Chrome Steel	Chrome Steel	85 X 1000 rpm
MR62	2 mm	6 mm	2.5 mm	Open	Chrome Steel	Chrome Steel	75 X 1000 rpm
MR62 2rs	2 mm	6 mm	2.5 mm	Sealed	Chrome Steel	Chrome Steel	75 X 1000 rpm
MR62zz	2 mm	6 mm	2.5 mm	Shielded	Chrome Steel	Chrome Steel	75 X 1000 rpm
MR72	2 mm	7 mm	2.5 mm	Open	Chrome Steel	Chrome Steel	63 X 1000 rpm
MR72 2rs	2 mm	7 mm	3 mm	Sealed	Chrome Steel	Chrome Steel	63 X 1000 rpm
MR72zz	2 mm	7 mm	3 mm	Shielded	Chrome Steel	Chrome Steel	65 X 1000 rpm
MR82x	2.5 mm	8 mm	2.5 mm	Open	Chrome Steel	Chrome Steel	60 X 1000 rpm
MR82x 2rs	2.5 mm	8 mm	2.5 mm	Sealed	Chrome Steel	Chrome Steel	60 X 1000 rpm
MR82xzz	2.5 mm	8 mm	2.5 mm	Shielded	Chrome Steel	Chrome Steel	60 X 1000 rpm
MR63	3 mm	6 mm	2 mm	Open	Chrome Steel	Chrome Steel	71 X 1000 rpm
MR63 2rs	3 mm	6 mm	2.5 mm	Sealed	Chrome Steel	Chrome Steel	71 X 1000 rpm
MR63zz	3 mm	6 mm	2.5 mm	Shielded	Chrome Steel	Chrome Steel	71 X 1000 rpm
MR83	3 mm	8 mm	2.5 mm	Open	Chrome Steel	Chrome Steel	60 X 1000 rpm
MR83 2rs	3 mm	8 mm	3 mm	Sealed	Chrome Steel	Chrome Steel	60 X 1000 rpm
MR83zz	3 mm	8 mm	3 mm	Shielded	Chrome Steel	Chrome Steel	60 X 1000 rpm
MR93	3 mm	9 mm	2.5 mm	Open	Chrome Steel	Chrome Steel	56 X 1000 rpm
MR93 2rs	3 mm	9 mm	4 mm	Sealed	Chrome Steel	Chrome Steel	56 X 1000 rpm
MR93zz	3 mm	9 mm	4 mm	Shielded	Chrome Steel	Chrome Steel	56 X 1000 rpm
MR74	4 mm	7 mm	2 mm	Open	Chrome Steel	Chrome Steel	60 X 1000 rpm
MR74 2rs	4 mm	7 mm	2.5 mm	Sealed	Chrome Steel	Chrome Steel	60 X 1000 rpm
MR74zz	4 mm	7 mm	2.5 mm	Shielded	Chrome Steel	Chrome Steel	60 X 1000 rpm
MR84	4 mm	8 mm	2 mm	Open	Chrome Steel	Chrome Steel	56 X 1000 rpm
MR84 2rs	4 mm	8 mm	3 mm	Sealed	Chrome Steel	Chrome Steel	56 X 1000 rpm



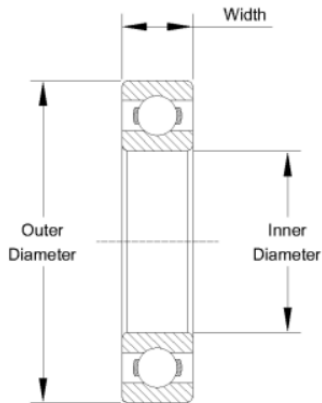
MR Series Miniature Bearings



Part Number	Bore diameter	Outside diameter	Width	Seal type	Ring material	Ball material	Limiting speed
MR84zz	4 mm	8 mm	3 mm	Shielded	Chrome Steel	Chrome Steel	56 X 1000 rpm
MR104	4 mm	10 mm	3 mm	Open	Chrome Steel	Chrome Steel	48 X 1000 rpm
MR104 2rs	4 mm	10 mm	4 mm	Sealed	Chrome Steel	Chrome Steel	48 X 1000 rpm
MR104zz	4 mm	10 mm	4 mm	Shielded	Chrome Steel	Chrome Steel	48 X 1000 rpm
MR85	5 mm	8 mm	2 mm	Open	Chrome Steel	Chrome Steel	53 X 1000 rpm
MR85 2rs	5 mm	8 mm	2.5 mm	Sealed	Chrome Steel	Chrome Steel	53 X 1000 rpm
MR85zz	5 mm	8 mm	2.5 mm	Shielded	Chrome Steel	Chrome Steel	53 X 1000 rpm
MR95	5 mm	9 mm	2.5 mm	Open	Chrome Steel	Chrome Steel	50 X 1000 rpm
MR95 2rs	5 mm	9 mm	3 mm	Sealed	Chrome Steel	Chrome Steel	50 X 1000 rpm
MR95zz	5 mm	9 mm	3 mm	Shielded	Chrome Steel	Chrome Steel	50 X 1000 rpm
MR105	5 mm	10 mm	3 mm	Open	Chrome Steel	Chrome Steel	50 X 1000 rpm
MR105 2rs	5 mm	10 mm	4 mm	Sealed	Chrome Steel	Chrome Steel	50 X 1000 rpm
MR105zz	5 mm	10 mm	4 mm	Shielded	Chrome Steel	Chrome Steel	50 X 1000 rpm
MR115	5 mm	11 mm	4 mm	Open	Chrome Steel	Chrome Steel	45 X 1000 rpm
MR115 2rs	5 mm	11 mm	4 mm	Sealed	Chrome Steel	Chrome Steel	45 X 1000 rpm
MR115zz	5 mm	11 mm	4 mm	Shielded	Chrome Steel	Chrome Steel	45 X 1000 rpm
MR106	6 mm	10 mm	2.5 mm	Open	Chrome Steel	Chrome Steel	45 X 1000 rpm
MR106 2rs	6 mm	10 mm	3 mm	Sealed	Chrome Steel	Chrome Steel	45 X 1000 rpm
MR106zz	6 mm	10 mm	3 mm	Shielded	Chrome Steel	Chrome Steel	45 X 1000 rpm
MR126	6 mm	12 mm	3 mm	Open	Chrome Steel	Chrome Steel	43 X 1000 rpm
MR126 2rs	6 mm	12 mm	4 mm	Sealed	Chrome Steel	Chrome Steel	43 X 1000 rpm
MR126zz	6 mm	12 mm	4 mm	Shielded	Chrome Steel	Chrome Steel	43 X 1000 rpm
MR117	7 mm	11 mm	2.5 mm	Open	Chrome Steel	Chrome Steel	43 X 1000 rpm
MR117 2rs	7 mm	11 mm	3 mm	Sealed	Chrome Steel	Chrome Steel	43 X 1000 rpm
MR117zz	7 mm	11 mm	3 mm	Shielded	Chrome Steel	Chrome Steel	43 X 1000 rpm
MR137	7 mm	13 mm	3 mm	Open	Chrome Steel	Chrome Steel	40 X 1000 rpm
MR137 2rs	7 mm	13 mm	4 mm	Sealed	Chrome Steel	Chrome Steel	40 X 1000 rpm
MR137zz	7 mm	13 mm	4 mm	Shielded	Chrome Steel	Chrome Steel	40 X 1000 rpm
MR128	8 mm	12 mm	2.5 mm	Open	Chrome Steel	Chrome Steel	40 X 1000 rpm



MR Series Miniature Bearings



Part Number	Bore diameter	Outside diameter	Width	Seal type	Ring material	Ball material	Limiting speed
MR128 2rs	8 mm	12 mm	3.5 mm	Sealed	Chrome Steel	Chrome Steel	40 X 1000 rpm
MR128zz	8 mm	12 mm	3.5 mm	Shielded	Chrome Steel	Chrome Steel	40 X 1000 rpm
MR148	8 mm	14 mm	3.5 mm	Open	Chrome Steel	Chrome Steel	38 X 1000 rpm
MR148 2rs	8 mm	14 mm	4 mm	Sealed	Chrome Steel	Chrome Steel	38 X 1000 rpm
MR148zz	8 mm	14 mm	4 mm	Shielded	Chrome Steel	Chrome Steel	38 X 1000 rpm